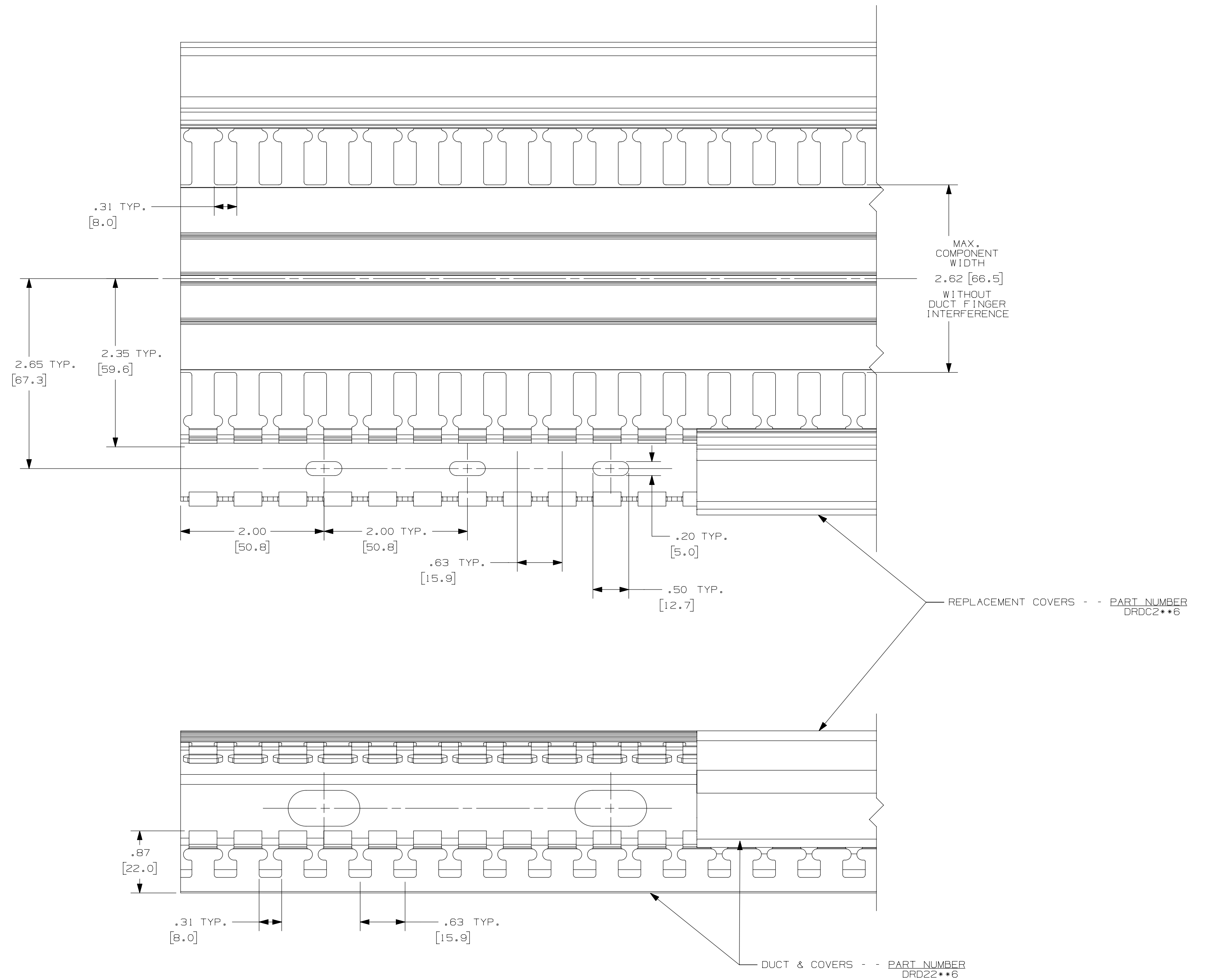
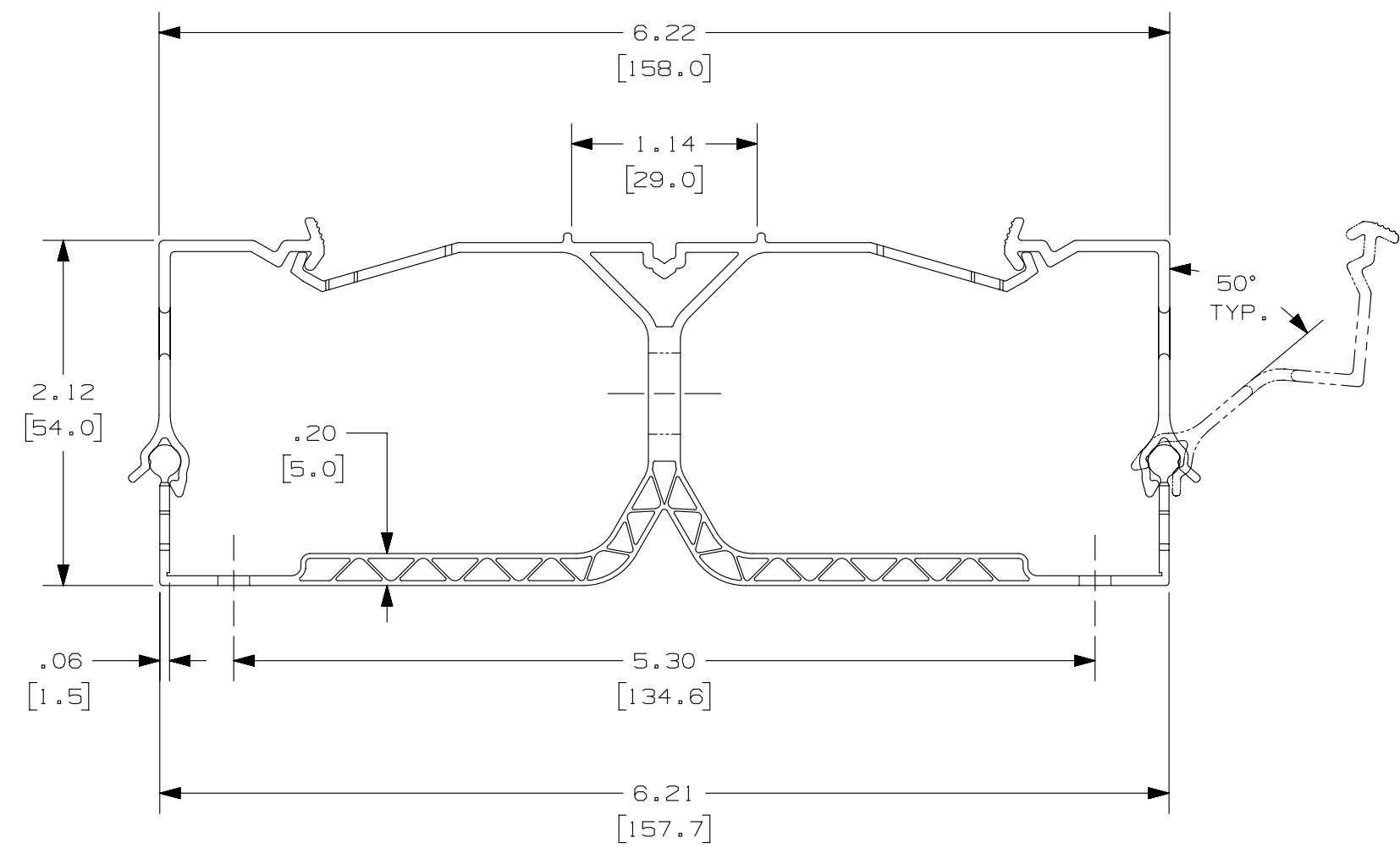


NOTE:

1. ALL DIMENSIONS ARE REFERENCE ONLY.
2. DIMENSIONS IN PARENTHESES ARE METRIC.
3. THE * * DENOTE COLOR.
4. DUCT AND COVER ARE AVAILABLE IN 6 FT (1828.6) LENGTH.
5. PANDUIT DRD2F PLASTIC SCREW FASTENERS INCLUDED TO FASTEN USER SUPPLIED DIN RAIL TO DRD BASE.
6. LOCATING RIBS COMPATIBLE WITH 15 OR 35 mm DIN RAIL.



REV	DATE	BY	CHK	APR	DESCRIPTION	ECN
5	08.03.14	BDK	MRJS	JADE	D. DRAWING REVISION 4 ITEM F SHOULD STATE "UPDATED PROFILE TO NEW DESIGN"	36897-1249

TITLE		WIRING DUCT - TYPE DRD22 DIN RAIL DUCT WITH COVER	
ITEM REVISION NAME		D11000VI/04	
DATASET FILE NAME		D11000VI.LC/048	
MATERIAL		PVC	
UNLESS OTHERWISE SPECIFIED, DIMENSIONAL TOLERANCES ARE: (IN 1 mm)		XXX ± .XX ±	
THIRD ANGLE PROJECTION		DRAWING NUMBER: 36897-1249	
DRAWN BY	DATE	CHK	SCALE
JCST	06-13-08	MKBE	FULL
SHT 1 OF 1			SIZE D